



ORIGINAL SPECIFICATION JAGUAR INTERIORS

E-TYPE COUPE SERIES I & II, 1961-1971 INTERIOR KITS

6-cylinder



Standard Kit K03B (without headrests) K03BH (with headrests)

Kit Includes:

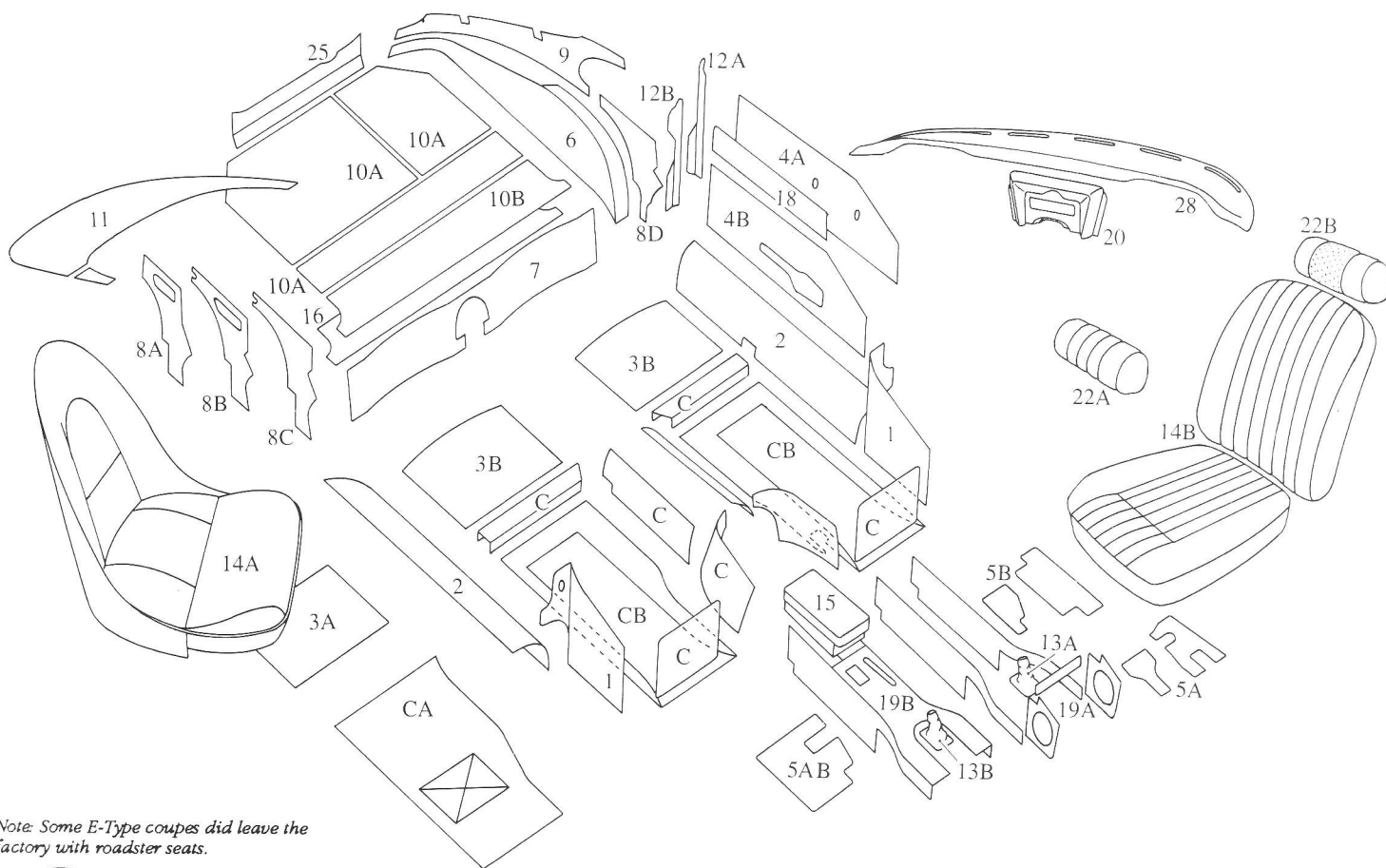
- Carpet Set
- A-Post Hardura
- Inner Sill Panel Kit
- Underseat Hardura
- Door Panels
- Underdash Hardura
- Wheel Arch Covers
- No. 8 Front Side Casings
- No. 9 Rear Side Casings
- Lower Rear Bulkhead
- Rear Parcel Area Mat, early cars, 61-64
- Rear Parcel Kit, later cars, 65-71

- No. 12 Door Closing Panels
- Rear Door Panel
- Connolly Leather Seat Covers
- Storage Box Hardura Mat
- Centre Console Retrim Kit
- Headlining Kit
- Underfelt Kit
- 8 Male & Female Carpet Studs
- Leather Headrest Covers 69-71
- Panel Below Rear Door
- Key Fob

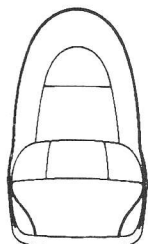
Major Kit K03C (without headrests) K03CH (with headrests)

Kit Includes:

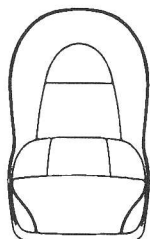
- Standard Kit
- Seat Foam Cushions, pr.
- Seat Diaphragms, pr. (4.2 cars only)
- Padded Dash Cover
- 3 yds. Vinyl for Cantrails
- Upper Door Panel Cappings



Note: Some E-Type coupes did leave the factory with roadster seats.



3.8 Series I
Roadster Seat



3.8 Series I
FHC Seat



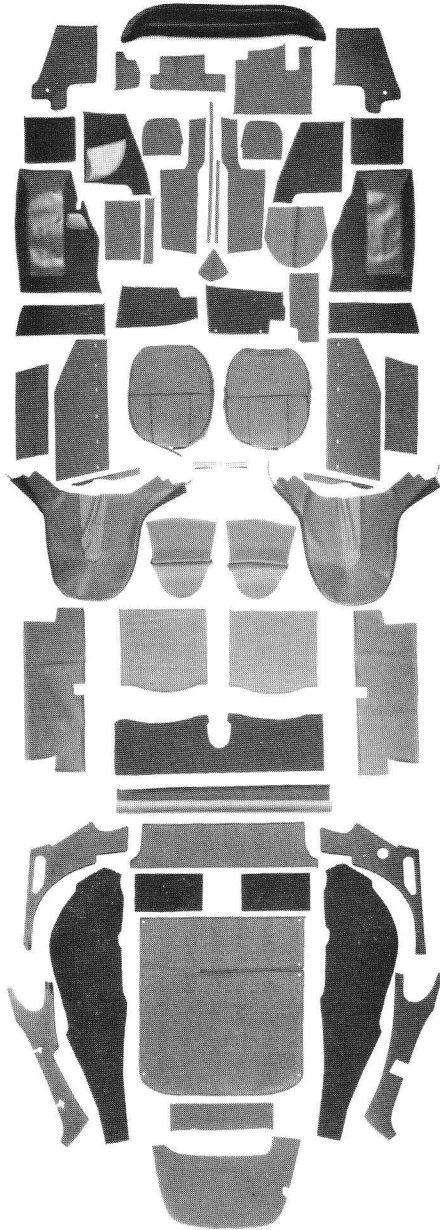
ORIGINAL SPECIFICATION JAGUAR INTERIORS

E-TYPE COUPE SERIES I & II, 1961-1971
INDIVIDUAL COMPONENTS

6-cylinder



Total Deliveries: 3.8/4.2 61-68, 15,440
Total Deliveries: 4.2, 69-71, 4,860



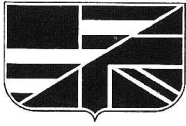
PART NO. DESCRIPTION ILLUS. NO.

CARPETS, UNDERFELTS, STUDS

01FCA	2 Front Floor Carpets, 100% deep pile wool, (61-62, flat floor, leather heel pads)	CA
01FCB	2 Front Floor Carpets, 100% deep pile wool, 62-71	CB
01CA	Carpet Set, 100% deep pile wool, 61-62 flat floor	C
01CB	Carpet Set, 100% deep pile wool, 62-71	C
0120A	2 Front Floor Underfelts, flat floor, 61-62	
0120B	2 Front Floor Underfelts, 62-71	
0120C	Underfelt Kit, 61-62, flat floor	
0120D	Underfelt Kit, 62-71	
1025	Male Carpet Studs, (8 req.), ea.	
1029	Female Carpet Studs, (8 req.), ea.	

HARDURA

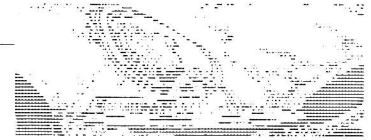
011A	A-Post Hardura, 61 flat floor, no bonnet latch holes, pr.	1
011B	A-Post Hardura, 61-on, with hole for bonnet latch, pr.	1
013A	Underseat Hardura, 61-62, square, pr.	3A
013B	Underseat Hardura, 62-on, radius on trailing edge for seat cut out, pr.	3B
0316	Storage Box Hardura Mat	16
0316B	Storage Box Carpet Mat	16
0115A	Underdash Hardura, 61 only	5A
0115B	Underdash Hardura, 62-71	5B
0310A	Rear Parcel Area Mat, 1 piece Hardura, flap lifts up, 62-64	10A
0310B	Rear Parcel Area Mat, 2 piece Hardura flap lifts out, 61-62	10A
0310C	Rear Parcel Area Kit, 65-on, vinyl & foam	10A/B



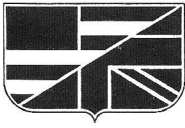
ORIGINAL SPECIFICATION JAGUAR INTERIORS

E-TYPE COUPE SERIES I & II, 1961-1971
INDIVIDUAL COMPONENTS

6-cylinder



PART NO.	DESCRIPTION	ILLUS. NO.	PART NO.	DESCRIPTION	ILLUS. NO.	PART NO.	DESCRIPTION	ILLUS. NO.
CONNOLLY LEATHER SEATS, SHIFT BOOTS, CONSOLE KITS, HEADREST COVERS, FOAM CUSHIONS, DIAPHRAGMS			0119B	Centre Console Retrim Kit, 64-67, (includes gear lever boot, leather for console top, console cushion cover, vinyl sides, beading, covered panels for storage box, leather for radio face)	19B	036A	Wheel Arch Covers, 61-65, moquette, pr.	6
0314A	Leather Seat Covers, 3.8 cars, 61-64, pr.	14A	036B	Wheel Arch Covers, 65-71, vinyl, pr.	6	017A	Lower Rear Bulkhead, moquette	7
0117B	Leather Seat Covers, 4.2 cars, 65-67, moquette backs, pr.	14B	017B	Lower Rear Bulkhead, vinyl	7	0311	Rear Door Panel, trimmed, does not include piece above window	11
0117C	Leather Seat Covers, 4.2 cars, 67-68, vinyl backs, pr.	14B	0325	Panel Below Rear Door, trimmed aluminium	25	INSTRUMENT & DASH AREA		
0117D	Leather Seat Covers, 4.2 cars, 69-71, embossed centre panels, pr.	14B	BD20-163/1	Rear Door Opening Trim, 69-71, as original, black only		0128	Padded Dash Cover, (screen rail fascia), black, moulded vinyl & foam	28
0123	Foam Seat Cushions, 3.8 cars, 61-64, ea.		038A	Front Side Panels, 61-63, trimmed, (has storage pockets on both left & right panels, no beading), pr.	8A	BD3-8486	Radio Surround, 69-on, non-airconditioned, black, moulded PVC & foam	20
0123BF	Seat Back Foam, 61-64, 3.8, ea.		038B	Front Side Panels, 64-65, trimmed (has pockets and beading), pr.	8B	RUBBER SEALS SEE PAGE 66		
0124L	Left Foam Seat Cushion, 4.2 cars, 65-71		038C	Front Side Panels, 65-67, trimmed, with beading, (no pockets), pr.	8C	MISCELLANEOUS		
0124R	Right Foam Seat Cushion, 4.2 cars, 65-71		038D	Front Side Panels, 68-71, trimmed, pr.	8D	TR	Tool Roll, (less tools)	
0122BF	Headrest Foam, 69-on, ea.		039A	Rear Side Panels, 61-63, trimmed (has aluminium lip on cut out for window, no beading), pr.	9	JB	Jack Bag	
0118F	Console Cushion Foam		039B	Rear Side Panels, 64-71, trimmed (has beading), pr.	9	HFK	Connolly Leather Cleaning Kit	
0129	Rubber Seat Diaphragms, supports foam seat cushion, 4.2 cars, ea.		0312A	Door Closing Panels, 61-64, 3.8, trimmed, pr.	12A			
0116A	Gear Lever Boot, 3.8 with non-syncro first gear, interior colour, leather	13A	0312B	Door Closing Panels, 65-71, 4.2, trimmed, pr.	12B			
0116B	Gear Lever Boot, 4.2, black leather only	13B	014P	Door Panel Pockets, 4.2, pr.				
0122A	Leather Headrest Covers, 68 only, non-embossed, cylindrical, pr.	22A	0318	Headliner Kit, wool union cloth				
0122B	Leather Headrest Covers, 69-71, embossed, pr.	22B	0318A	fawn				
0122C	Leather Headrest Covers, very rare 4 pleat, embossed or non-embossed, special order only , pr.		0318B	grey				
0118	Centre Console Cushion Cover, leather, 64-71	15	0318C	green				
0119A	Centre Console Retrim Kit, 61-63, 3.8 with aluminium top, (includes gear lever boot, beading, vinyl sides, and vinyl speaker covers)	19A	0331	Upper Door Panel Cappings, trimmed steel, with inner window wipes, pr.	18			
			SEAT FRAME WOOD SEE PAGE 78					
0117WA	Wood Insert for Seat Back, 3.8, ea.		PANELS & VINYL OR MOQUETTE TRIM, HEADLINER					
0117WB	Wood Replacement Set 3.8, set per seat		012	Inner Sill Panel Kit, vinyl & foam, pr.	2			
0117WC	Wood Insert for Seat Back & Seat Bottom, Front Tack Piece, 4.2, set per seat		0115	Underdash Panels, 3, 68-71, textured black millboard as original				
			034AA	Door Panels, 61-64, 3.8 (less chrome), trimmed fibreboard, includes mounting clips, pr.	4A			
			034A	Door Panels, 65-67, 4.2, (less chrome), trimmed fibreboard, includes mounting clips, pr.	4A			
			034B	Door Panels, 68 only, (less chrome), trimmed fibreboard, includes plastic pockets & mounting clips, pr.	4B			
			034C	Door Panels, 69-71 (less chrome), trimmed fibreboard, includes plastic pockets & mounting clips, pr.	4B			



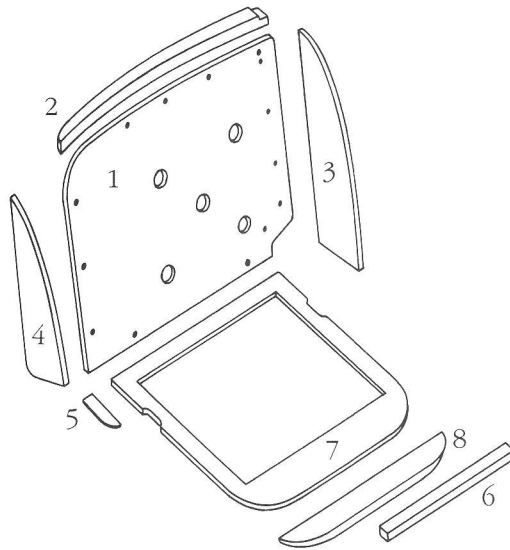
ORIGINAL SPECIFICATION JAGUAR INTERIORS

WOOD COMPONENTS FOR SEAT FRAMES* XK150 SERIES and E-TYPE SERIES I & II

XK150 SERIES

ROADSTER, DHC, FHC

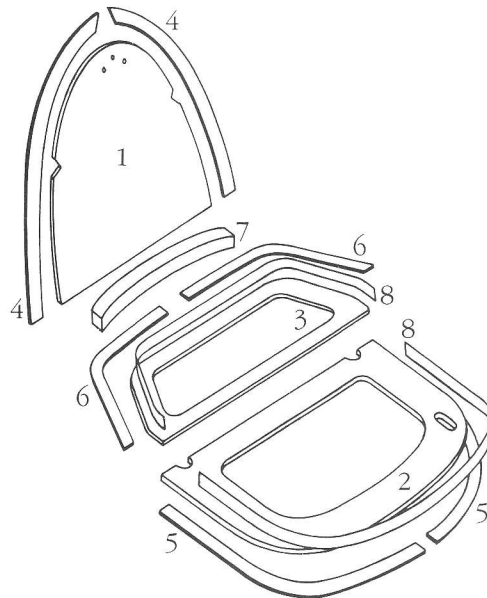
DESCRIPTION	ILLUS. NO.
Kit No: 0213RW	
Plywood Seat Back	1
Hardwood Top Strip	2
Plywood Side Panel, large	3
Plywood Side Panel, small	4
Plywood Tack Strip	5
Hardwood Block	6
Plywood Cushion Frame	7
Hardwood Cushion Frame	8



E-TYPE SERIES I, 3.8 and SERIES I 1/2/II, 4.2

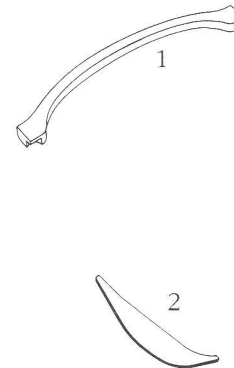
ROADSTER, FHC- SERIES I, 3.8

DESCRIPTION	ILLUS. NO.
Kit No: 0117WB	
Seat Back Insert: No. 0117WA	1
Front Base Wood	2
Rear Base Wood	3
Back Tack Strips	4
Front Tack Strips	5
Rear Tack Strips	6
Tack Block Wood	7
3/4" x 52" Cardboard Strip	8



ROADSTER, FHC- SERIES II, 4.2

DESCRIPTION	ILLUS. NO.
Kit No: 0117WC	
Front Corner Tack Piece	1
Seat Back Bottom Strip	2



* these components are listed for your convenience, they are not available individually.