

ORIGINAL SPECIFICATION JAGUAR INTERIORS

3.4 & 3.8 S-TYPE SALOON, 1963-1968
INTERIOR KIT

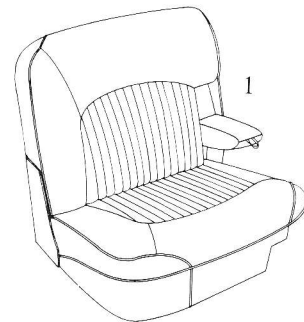
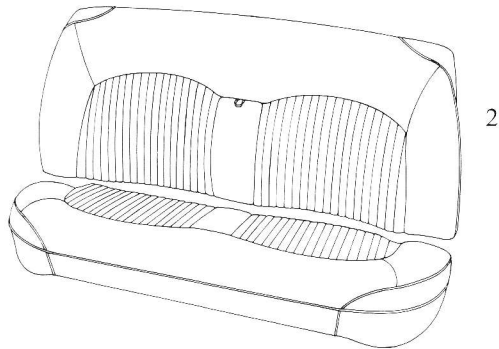
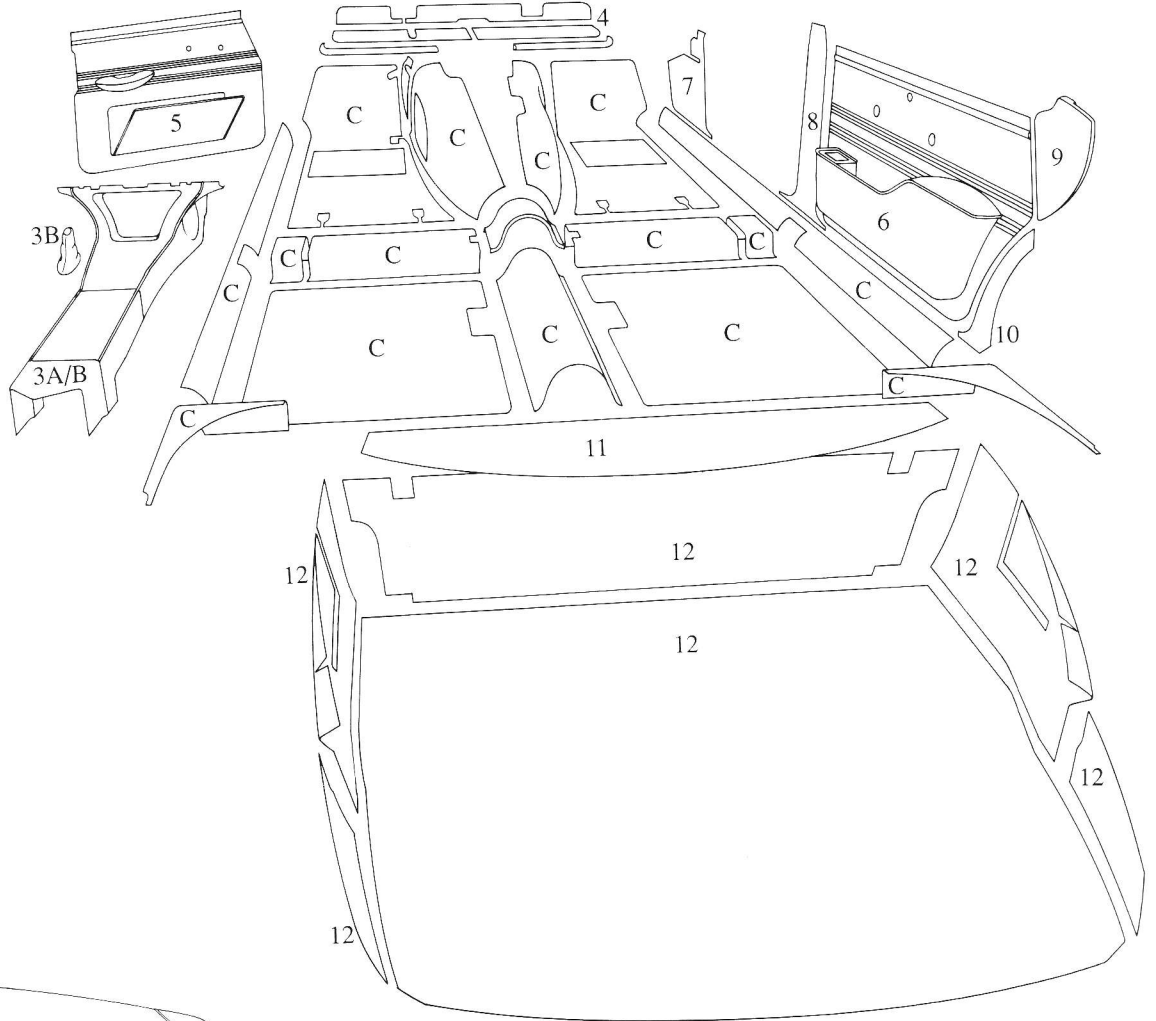


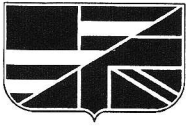
Complete Kit
K08B

Total Deliveries: 24,900

Kit Includes:

- Carpet Set
- Underfelt Kit
- Connolly Leather Seat Covers, front & rear
- Front Seat Squab & Cushion Foams
- Headliner & Visor Cover Kit
- Front Parcel Shelf Trim Kit
- A-Post Panels
- B/C-Post Panels
- D-Post Panels
- No. 17 Trim Panels
- Rear Parcel Shelf
- Furflex, (41 ft.)
- Boot Set
- Centre Console Retrim Kit
- Front & Rear Door Panels
- 1/3 yd. vinyl
- Key Fob





ORIGINAL SPECIFICATION JAGUAR INTERIORS

DAIMLER SP 250, APRIL 1961 • SEPTEMBER 1964
INDIVIDUAL COMPONENTS



PART NO. DESCRIPTION ILLUS. NO.

CARPETS

DSPC Carpet Set, 100% deep pile wool, includes carpet for A-Post & pillar area and underdash, also includes leather gear lever boot & leather handbrake lever boot **C**

CONNOLLY LEATHER SEAT COVERS, SEAT FOAMS

DSP3 Leather Front Seat Covers, "B style", pr. **1**
DSP3A Leather Front Seat Covers, "A style", pr.
DSP4 Rear Leather Seat Cover **2**
DSP3F Front Seat Squab & Cushion Foams, "B style", per seat

PANELS, VINYL or MOQUETTE TRIM, LEATHER TRIM

DSP6 Dash Retrim Kit, leather for dash & glove box lid, leather & beading for cockpit coaming above dash, does not include D-roll rubber **3**
DSP5 Door Panels, with pocket retrim kit **4**
DSP7 B-Post Panels, pr. **5**
DSP8 Rear Bulkhead Retrim Kit, vinyl covered panels & beading for bulkhead parcel shelf **6**

BOOT AREA

DSP2 Boot Mat, black Hardura only **7**

MISCELLANEOUS

HFK Connolly Leather Cleaning Kit